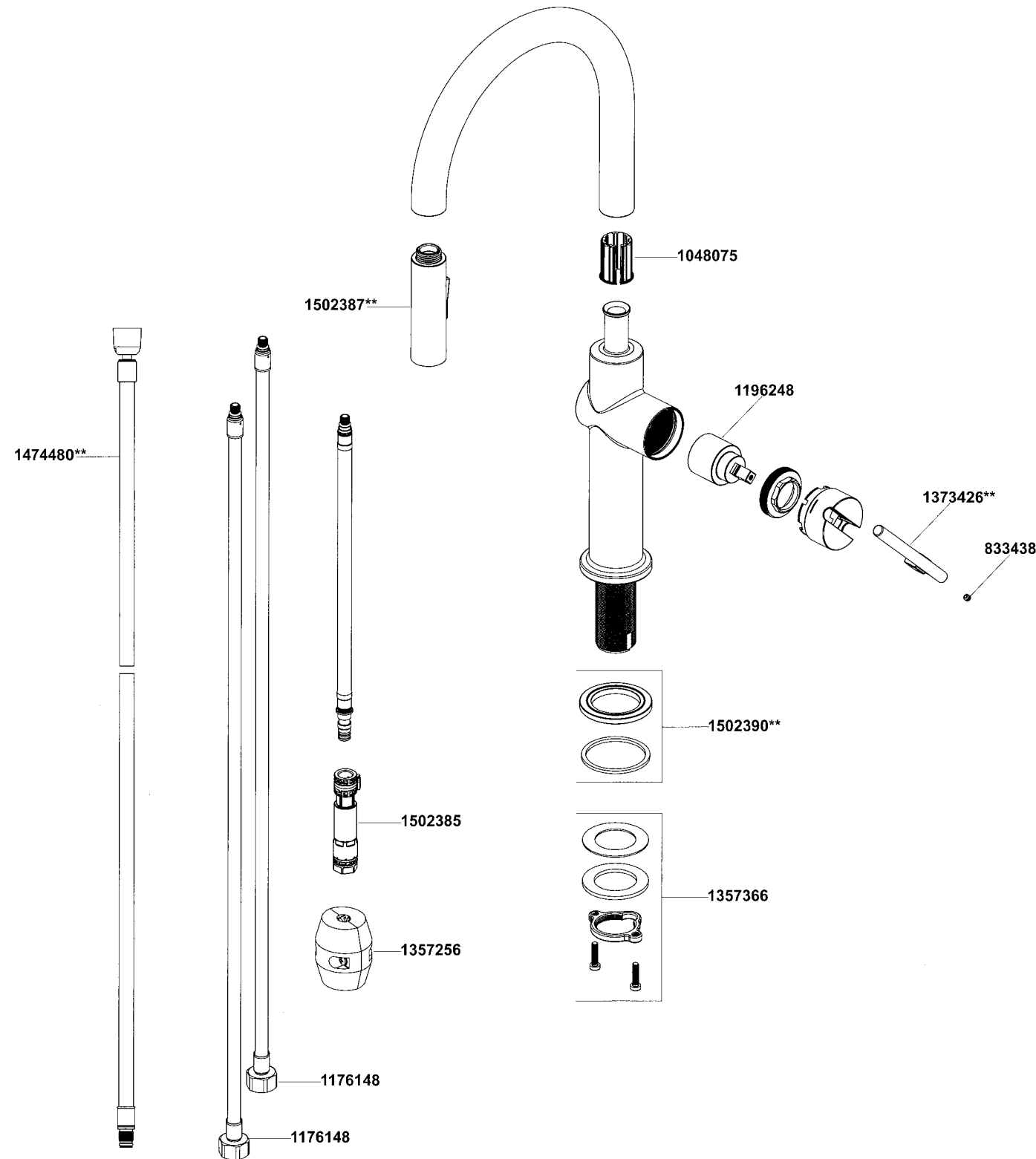


22972T-4E Pull Down Kitchen Faucet



\*\*Color code must be specified when ordering.

22972T-4E Pull Down Kitchen Faucet

**BEFORE YOU BEGIN**

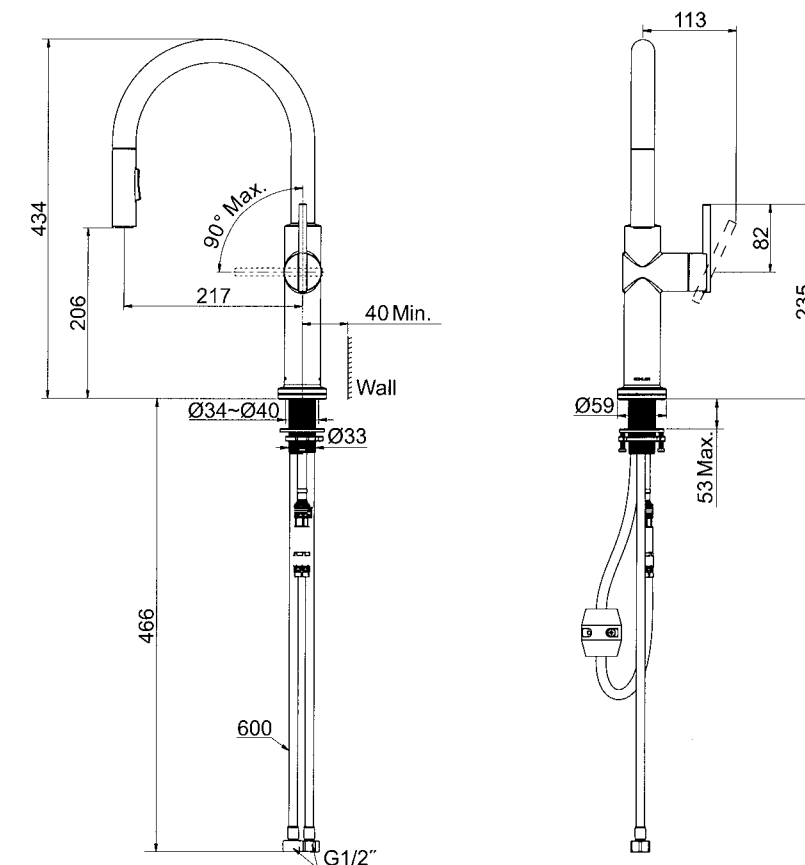
All information is based on the latest product information available at the time of publication. Kohler Co. reserves the right to make changes in product characteristics, packaging, or availability at any time without notice.

Please leave these instructions for the consumer. They contain important information.

**NOTES:**

1. Flush the water supply pipes thoroughly to remove debris.
2. An inline water filter must be used with this product.
3. For new installations, install the faucet to sink before installing.
4. The highest working pressure for spray is 0.5MPa (5bar). If it exceeds 0.5MPa(5bar), a pressure reducer is needed. The highest water and environment temperature is 60°C. Please keep spray away from heater, or it may become damaged and cause injury to the user.
5. All installations should comply with the relevant requirements of AS/NZS 3500 and AS/NZS 6400.

**ROUGH-IN DIMENSIONS**



## INSTALLATION

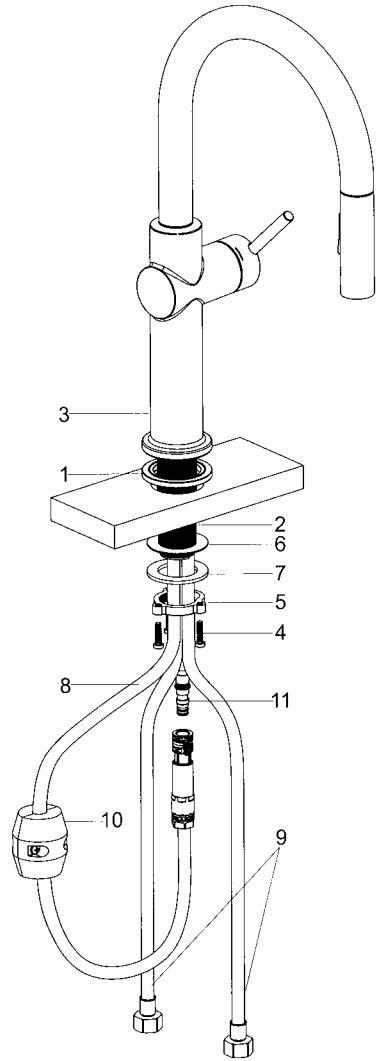
### How to Install the Faucet

Slide the escutcheon(1) over the hoses and shank(2) until it is put into the groove of the faucet(3) bottom. From upside of the sink, insert the faucet assembly into the mounting hole until the faucet bottom contacts the deck. Ensure the handle is on the right.

Partially thread two screws(4) into the threaded ring(5). From underside of the sink, place the washer(6), metal washer (7) and threaded ring with two screws over the shank(2). Position the faucet so that the spray hose(8) is on the left, the spray hose and two hoses(9) are symmetrical. Thread the threaded ring onto the shank until the washers contact the underside of the sink. Tighten two screws(4) to secure the faucet to the sink.

Attach the hoses(9) to water supplies. The hose with blue dot should be connected to cold water. The hose with red dot should be connected to hot water.

Slide the weight(10) over the spray hose (8). Connect the spray hose and outlet hose(11). Adjust the weight to the appropriate position, check for smooth operation, and secure the weight in place by tightening its screws.

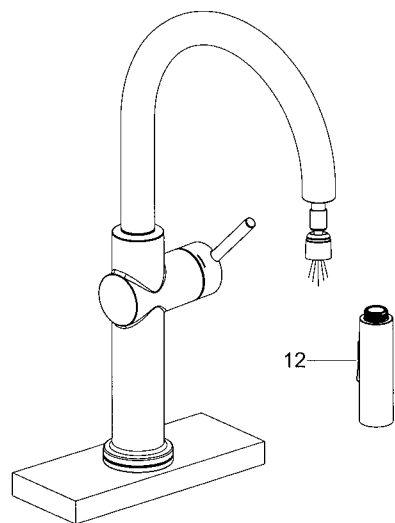


## INSTALLATION CHECKOUT

Ensure all connections are tightened and the handle is in the off position.

Open the drain. Turn on main water supply and check for leaks. Repair as needed.

Remove the spray(12). Run hot and cold water through the spout for about one minute to remove any debris. Shut off the faucet. Reinstall the spray.

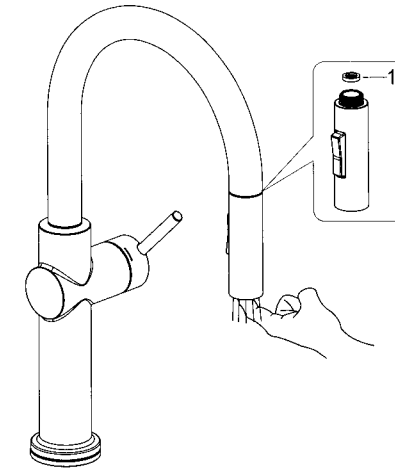


## CARE AND MAINTENANCE

Turn on the faucet, rub the spray nozzles to dislodge debris.

To improve water flow, turn off the faucet. Disconnect the spray. Remove and clean the screen(13) inside the spray.

Reinsert the screen and reconnect the spray.



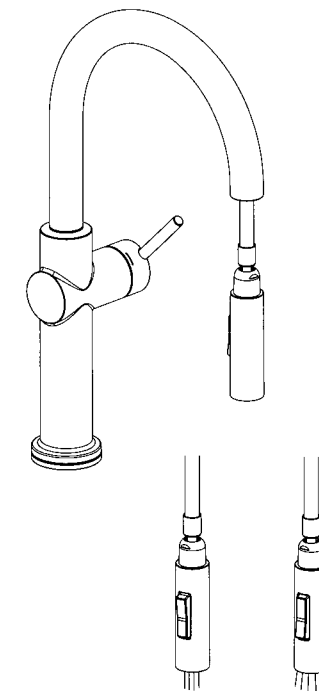
## OPERATION INSTRUCTION

Turn on the handle gently. Turn clockwise for cold water, counter-clockwise for hot water.

If you want to use the spray by hand, take the spray and pull out the hose.

Press different position of the button, you will get different water flow as shown.

**NOTE:** Please pull it gently and do not draw out the spray hose too long, or you may damage the hose and connector.



## CLEANING INSTRUCTIONS

All Finishes: Clean the finish with mild soap and warm water. Wipe entire surface completely dry with clean soft cloth. Many cleaners may contain chemicals, such as ammonia, chlorine, toilet cleaner etc. which could adversely affect the finish and are not recommended for cleaning.

Do not use abrasive cleaners or solvents on Kohler faucets and fittings.